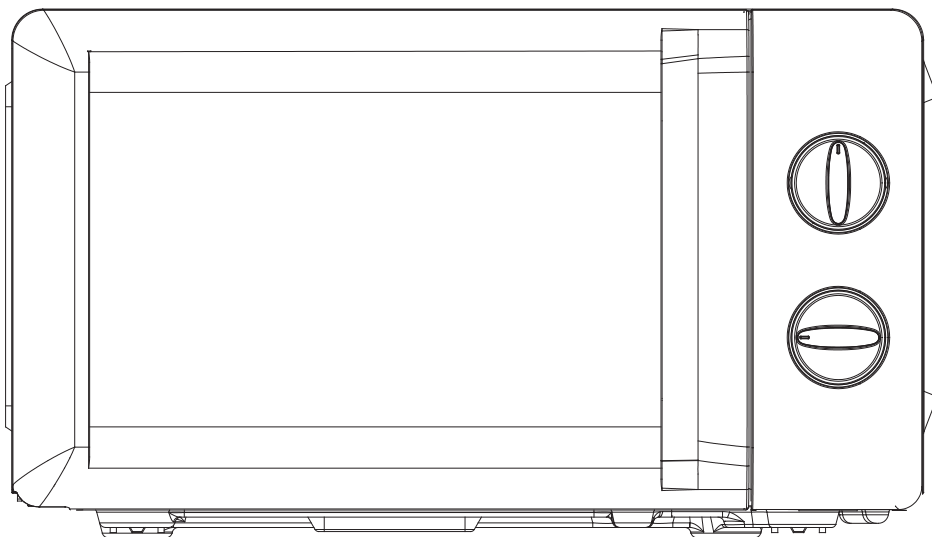


MEDEK

MICROWAVE OVEN INSTRUCTION MANUAL



20MG80-L

**IMPORTANT SAFETY INSTRUCTIONS
READ CAREFULLY AND KEEP FOR FUTURE REFERENCE**

Household use only

SAVE THESE INSTRUCTIONS

IMPORTANT SAFEGUARDS

WARNING: If the door or door seals are damaged, the oven must not be operated until it has been repaired by a trained person.

WARNING: It is hazardous for anyone other than a trained person to carry out any service or repair operation, which involves the removal of any cover, which gives protection against exposure to microwave energy. **WARNING:** Liquids or other food must not be heated in sealed containers since they are liable to explode.

1. Only use utensils that are suitable for use in microwave ovens.
2. Metallic containers for food and beverages are not allowed during microwave cooking.
3. When heating food in plastic or paper containers, keep an eye on the oven due to the possibility of ignition
4. The microwave oven is intended for heating food and beverages. Drying of food or clothing and heating of warming pads, slippers, sponges, damp cloth and similar may lead to risk of injury, ignition or fire.
5. If smoke is observed, switch off or unplug the appliance and keep the door closed in order to stifle any flames microwave

heating of beverages can result in delayed eruptive boiling, therefore care has to be taken when handling the container.

6. The contents of feeding bottles and baby food jars are to be stirred or shaken and the temperature is to be checked before consumption, in order to avoid burns.
7. Eggs in their shell and whole hard-boiled eggs shall not be heated in microwave ovens since they may explode, even after microwave heating has ended.
8. Failure to maintain the oven in a clean condition could lead to deterioration of the surface that could adversely affect the life of the appliance and possibly result in a hazardous situation.
9. The appliance must not be placed in a cabinet
10. Care should be taken not to displace the turntable when removing containers from the appliance.
11. The appliance shall not be cleaned with a steam cleaner.
12. The appliance must not be installed equal or higher than 900 mm above the floor. Minimum height of free space necessary above the top surface of the oven: 100mm.

Warning: When the appliance is operated in the combination mode, children should only use the oven under adult supervision due to the temperatures generated.



CAUTION: HOT SURFACE

13. If the supply cord is damaged, it must be replaced by the manufacturer or its service agent or a similarly qualified person in order to avoid a hazard.
14. This appliance can be used by children aged from 8 years and above and persons with reduced physical, sensory or mental capabilities or lack of experience and knowledge if they have been given supervision or instruction concerning use of the appliance in a safe way and understand the hazards involved.
15. Children shall not play with the appliance.
16. Cleaning and user maintenance shall not be made by children without supervision.
17. This appliance is intended to be used in household and similar applications such as:
 - staff kitchen areas in shops, offices and others working environments;
 - farm houses;
 - by clients in hotels, motels and other residential type environments;
 - bed and breakfast type environments. The appliances are not intended to be operated by means of an external timer or separate remote-control system.

18. Do not directly put the glass plate into cold water after use. It needs to place the glass plate for at least 20 minutes, and then put it into the water to avoid cracking.
19. Group 2 Class B appliance

Group 2 ISM equipment: group 2 contains all ISM equipment in which radio-frequency energy is intentionally generated and/or used in the form of electromagnetic radiation for the treatment of material, and EDM and arc welding equipment.

Class B equipment is equipment suitable for use in domestic establishments and in establishments directly connected to a low voltage power supply network which supplies buildings used for domestic purposes.
20. This product internal light source LED light on < 60lm.
21. “To be in compliance EN 61000-3-11, the product shall be connected only to a supply of the system impedance: $|Z_{sys}| = 0.34685$ ohms or less. Before connect the product to public power network, please consult your local power supply authority to ensure the power network meet above requirement.”

INSTALLATION

1. Take out all the packing. If there is a safe film over the oven, tear it off before use. Check carefully for damage. If any, immediately notify dealer or send to the manufacturer’s service center.
2. Microwave ovens must be placed under dry and non-corrosiveness environments, kept away from heat and humidity, such as gas burner or water tank.
3. To ensure sufficient ventilation, the distance of the back of microwave to the wall should be at least 10 cm, the side to the wall should be at least 5 cm, the free distance above the top surface at least 20 cm. the distance of the microwave to the ground should be at least 85 cm.

4. The position of the oven shall be such that it is far from the TV, Radio or antenna as picture disturbance, or noise may occur. The distance should be more than 5m.
5. The appliance must be positioned so that the plug is accessible, and must ensure a good grounding in case leakage, ground loop can be formed to avoid electric shock.
6. The microwave oven must be operated with the door closed.
7. The microwave oven must not be placed in a cabinet. The microwave oven is intended to be used freestanding.
8. As there is manufacturing residue or oil remained on the oven cavity or heat element, it usually would smell the odor, even a slight smoke, It is normal case and would not occur after several times use, keep the door or window open to ensure good ventilation. So it is strongly recommended to place a cup of water in the cavity, setting at high power and operate for several times.

CLEANING

MICROWAVE OVEN CARE

CAUTION

The oven should be cleaned regularly and any food deposits removed.

WARNING

- a. Remove the power cord from the wall outlet before cleaning. After cooling products. Don't immerse the appliance in water or other fluids when cleaning.
- b. Failure to maintain the oven in a clean condition could lead to deterioration of the surface that could adversely affect the life

of the appliance and possibly result in a hazardous situation.

- c. Never use hard detergent, gasoline, abrasive powder or metal brush to clean any part of the appliance.
- d. Do not remove the waveguide cover.
- e. When the microwave oven has been used for a long time, there may be some strange odors exist in oven, following 3 methods can get rid of them:
 - 1) Place several lemon slices in a cup, then heat with high micro power for 2-3 min.
 - 2) Place a cup of red tea in oven, then heat with high micro power.
 - 3) Put some orange peel into oven, and then heat them with high micro power for 1 minute.
- f. When the product is not used, it should be placed in dry and ventilated areas as well as possible.

WARNING

Details how to clean surfaces in contact with food:

After use wipe the waveguide cover with a damp cloth, followed by dry cloth to remove any food splashes and grease. Built -up grease may overheat and begin to cause smoke or catch fire.

TIPS FOR CLEANING

Details for cleaning door seals, cavity and adjacent parts:

Exterior:

Wipe the enclosure with a dampened soft cloth.

Door:

Using a dampened soft cloth, wipe clean the door and window.

Wipe the door seals and adjacent parts to remove any spill or spatter.

Wipe the control panel with a slightly dampened soft cloth.

Interior walls:

Wipe clean the interior surfaces with a dampened soft cloth.

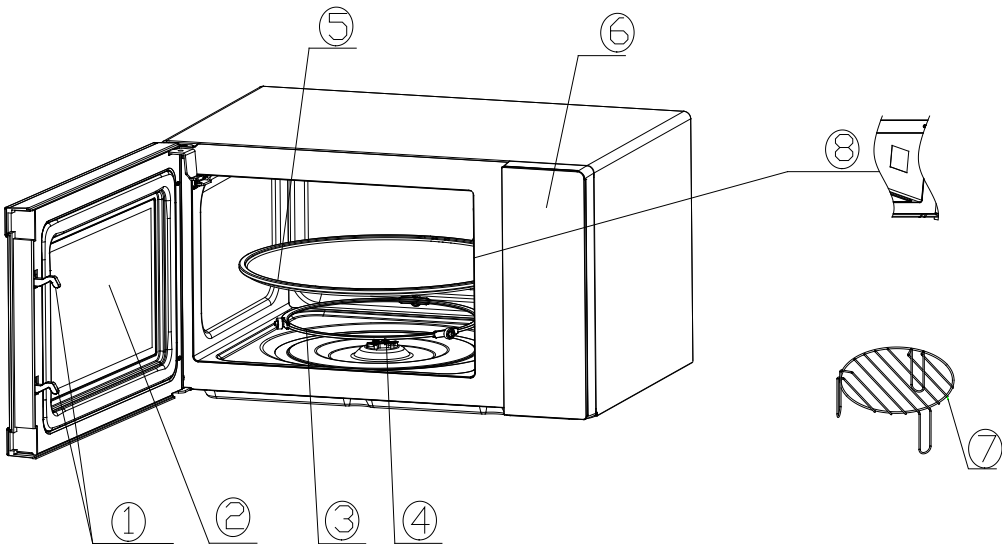
Wipe clean the waveguide cover to remove any food splashed.

Turntable / Rotation ring / Rotation axis:

Wash with mild soap water.

Rinse with clean water and allow drying thoroughly.

PRODUCT INSTRUCTION



1) **Door lock**

Microwave oven door must be properly closed in order for it to operate

2) **Viewing window**

Allow user to see the cooking status

3) **Rotating ring**

The glass turntable sits on its wheels; it supports the turntable and helps it to balance when rotating

4) **Rotating axis**

The glass turntable sits on the axis; the motor underneath it drives the turntable to rotate

5) **Turntable**

The food sits on the turntable, its rotation during operation helps to cook food evenly

 **CAUTION**

- Place the rotating ring first
- Fit the turntable onto the rotating axis and make sure that it is geared in properly

6) **Control panel**

See below in details (the control panel is subject to change without prior notice)

7) **Grill rack**

Use to place the roasting food.

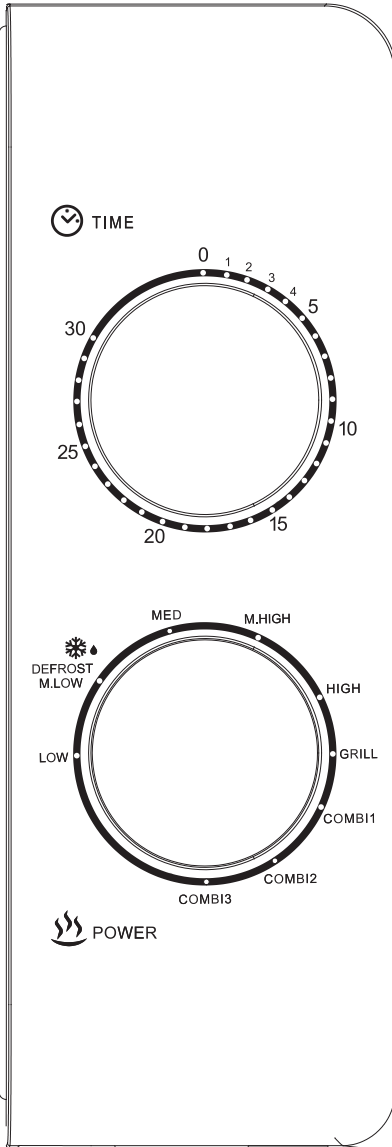
8) **Waveguide cover**

It is inside the microwave oven, next to the wall of control panel.

 **WARNING**

Never remove the waveguide cover

OPERATION OF CONTROL PANEL



1. TIMER

- The max cooking time length that can be set is 30 minutes.
- Each setting is 1 minute.
- A bell ring will be heard when the timer times out and returns to Zero position.

2. FUNCTION/POWER KNOB

1) There are 5 microwave power levels:

High	100% power output	(Quick cooking)
M.High	81% power output	(Normal cooking)
Med	58% power output	(Slow cooking)
Defrost	36% power output	(Defrost)
Low	18% power output	(Keep warm)

2) Below is some food defrosting time advice:

No.	Weight (g)	Defrost time
1	250	About 4 minutes
2	500	About 8 minutes
3	750	About 12 minutes

Grill-- only heat element is energized. Good brown color will be obtained, even the color makes you mouth water, but if the food is thickly, it may result in the surface of food have been burned, but the center of the food is unbaked. It is suitable for broiling sausage, chicken wings, chops, meat slice, sandwich and etc.

Combination-- magnetron and heat element work in an alternate

way. According to the properties of food, utilizing the excellence of grill and microwave, to obtain the best result.

Combi 1: 30% operation time the magnetron is energized and 70% time heat element is energized. It is suitable for roasting chops, sandwich and etc.

Combi 2: 49% operation time the magnetron is energized and 51% time heat element is energized. It is suitable for broiling small chicken and meat.

Combi 3: 67% operation time the magnetron is energized and 33% time heat element is energized. It is suitable for broiling large chicken, duck and etc.

OPERATION

1) Connect the cord

-Before connecting the cord, make sure the timer is set to "0" position.

- Do not block the ventilation.

2) Place the food on the glass turntable and close the door

- Food must be contained in a utensil.

- Do not operate the microwave oven without load, otherwise it will cause damage to the microwave oven.

3) Select the desired microwave power level

4) Set the timer

If the desired time is less than 2 minutes, turn the microwave power knob to over 3 minutes position and then turn back to the desired time setting.

5) Once the desired time is set, the cooking begins. If pausing in midway is needed, just open the door at any time, and close it to resume operation.

6) When it times out and cooking ends, the microwave oven produces a bell ring, the inside lamp will also be automatically

turned off.

If food is removed before time out, make sure to set back the timer to “0” position, this avoids the microwave oven from operating in empty load.

7) It is recommended to wear gloves when removing the cooked food from oven and be careful do not touch the inner surface of the cavity.

⚠ CAUTION

Heating food fast, generally only 2 to 3 minutes, please control in 5 minutes. Please pay attention to the cooking condition of the food at any time and adjust it according to your taste preference. Avoid overheating. When heating porridge, congee, should first stir evenly, and then covered with plastic film (leave corners for ventilation) or with a perforated lid heating.

At mid-point to defrosting time, please open the door to turn the food, so that the defrosting effect is more uniform.

UTENSILS GUIDELINE

It is strongly recommended to use the containers which are suitable and safe for microwave cooking. Generally speaking, the containers which are made of heat-resistant ceramic, glass or plastic are suitable for microwave cooking. Never use the metal containers for microwave cooking and combination cooking as spark is likely to occur. You can take the reference of below table.

Material of container	Microwave	Grill	Combi	Notes
Heat-resistant ceramic	Yes	Yes	Yes	Never use the ceramics which are decorated with metal rim or glazed
Heat-resistant plastic	Yes	No	No	Can not be used for long time microwave cooking

Heat-resistant glass	Yes	Yes	Yes	
Plastic film	Yes	No	No	It should not be used when cooking meat or chops as the over-temperature may do damage to the film
Grill rack	No	Yes	Yes	The grill rack can only be used in grill and combination mode.
Metal container	No	No	No	It should not be used in microwave oven. Microwave can not penetrate through metal.
lacquer	No	No	No	Poor heat-resistant. Can not be used for High-temperature cooking
Bamboo wood and paper	No	No	No	Poor heat-resistant. Can not be used for High-temperature cooking

COOKING TIPS

The following factors may affect the cooking result:

Food arrangement

Place thicker areas towards outside of dish, the thinner part towards the centre and spread it evenly. Do not overlap if possible.

Cooking time length

Start cooking with a short time setting, evaluate it after it times out and extend it according to the actual need. Over cooking may result in smoke and burns.

Cooking food evenly

Food such as chicken, hamburger or steak should be turned once during cooking.

Depending on the type of food, if applicable, stir it from outside to centre of dish once or twice during cooking

Allow standing time

After cooking times out, leave the food in the oven for an adequate length of time, this allows it to complete its cooking cycle and cooling it down in a gradual manner

Whether the food is done

Color and hardness of food help to determine if it is done, these include:

- Steam coming out from all parts of food, not just the edge
- Joints of poultry can be moved easily
- Pork or poultry shows no signs of blood
- Fish is opaque and can be sliced easily with a fork

Browning dish

When using a browning dish or self-heating container, always place a heat-resistant insulator such as a porcelain plate under it to prevent damage to the turntable and rotating ring.

Microwave safe plastic wrap

When cooking food with high fat content, do not allow the plastic wrap come into contact with food as it may melt

Microwave safe plastic cookware

Some microwave safe plastic cookware might not be suitable for cooking foods with high fat and sugar content. Also, the preheating time specified in the dish instruction manual must not be exceeded.

MAINTENANCE

SERVICING

Please check the following before calling for services.

1. Place one cup of water (approx.150ml) in a glass measure

in the oven and close the door securely. Oven lamp should go off if the door is closed properly. Let the oven work for 1 min.

2. Does the oven lamp light?
 3. Does the cooling fan work?
(Put your hand over the rear ventilation openings.)
 4. Does the turntable rotate?
(The turntable can rotate clockwise or counter clockwise. This is quite normal.)
 5. Is the water inside the oven hot?
- If “NO” is the answer to any of the above questions, please check your wall socket and the fuse in your meter box.
If both the wall socket and the fuse are functioning properly, CONTACT YOUR NEAREST SERVICE CENTER APPROVED.

SERVICING SAFEGUARDS

Caution: MICROWAVE RADIATION

1. The high voltage capacitor remains charge after disconnection; short the negative terminal of H. V capacitor to the oven chassis (use a screwdriver) to discharge before touching.
2. During servicing below listed parts are liable to be removed and give access to potentials above 250V to earth.
 - Magnetron
 - High voltage transformer
 - High voltage capacitor
 - High voltage diode
 - High voltage fuse
3. The following conditions may cause undue microwave exposure during servicing.
 - Improper fitting of magnetron;
 - Improper matching of door interlock, door hinge and door;
 - Improper fitting of switch support;
 - Door, door seal or enclosure has been damaged.

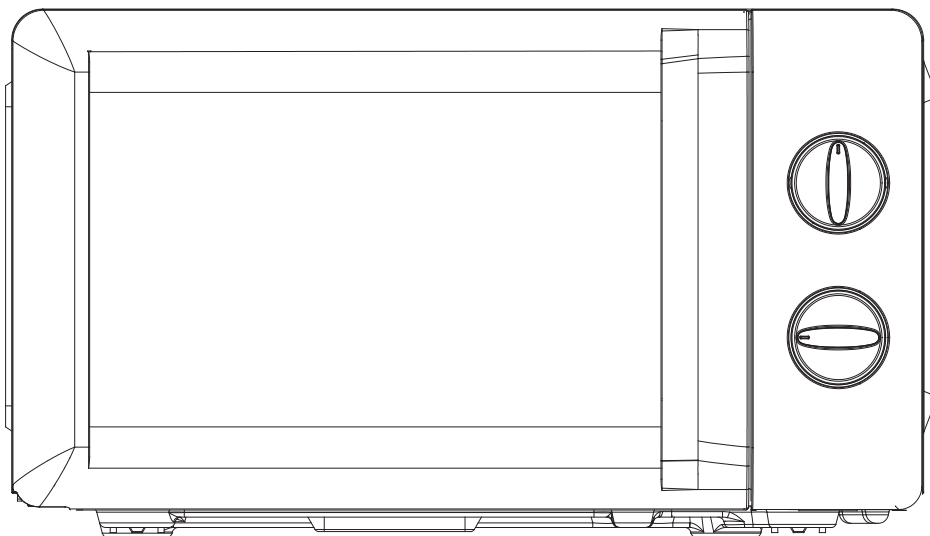
Correct disposal of this product



This marking indicates that this product should not be disposed with other household wastes throughout the EU. To prevent possible harm to the environment or human health from uncontrolled waste disposal, recycle it responsibly to promote the sustainable reuse of material resources. To return your used device, please use the return and collection systems or contact the retailer where the product was purchased. They can take this product for environmental safe recycling.

MEDEK

FOUR À MICRO-ONDES MANUEL D'INSTRUCTIONS



20MG80-L

**INSTRUCTIONS DE SÉCURITÉ IMPORTANTES
LIRE ATTENTIVEMENT ET CONSERVER POUR RÉFÉRENCE
ULTÉRIEURE**

Usage domestique uniquement

CONSERVER CES INSTRUCTIONS

IMPORTANTES GARANTIES

AVERTISSEMENT : Si la porte ou les joints de la porte sont endommagés, le four ne doit pas être utilisé avant d'avoir été réparé par une personne qualifiée.

AVERTISSEMENT : Il est dangereux pour toute personne autre qu'une personne qualifiée d'effectuer une opération d'entretien ou de réparation impliquant le retrait d'un couvercle protégeant l'appareil contre l'exposition à l'énergie des micro-ondes.

AVERTISSEMENT : Les liquides ou autres aliments ne doivent pas être chauffés dans des récipients hermétiques, car ils risquent d'exploser.

1. N'utilisez que des ustensiles adaptés aux fours à micro-ondes.
2. Les récipients métalliques pour aliments et boissons ne sont pas autorisés pour la cuisson au four à micro-ondes.
3. Lorsque vous faites chauffer des aliments dans des récipients en plastique ou en papier, gardez un œil sur le four en raison du risque d'inflammation.
4. Le four à micro-ondes est destiné à chauffer des aliments et des boissons. Le séchage d'aliments ou de vêtements et le

chauffage de coussins chauffants, de pantoufles, d'éponges, de tissus humides et d'autres articles similaires peuvent entraîner un risque de blessure, d'inflammation ou d'incendie.

5. Si de la fumée est observée, éteignez ou débranchez l'appareil et gardez la porte fermée pour étouffer les flammes. Le chauffage des boissons par micro-ondes peut entraîner une ébullition éruptive retardée, il faut donc prendre des précautions lors de la manipulation du récipient.
6. Le contenu des biberons et des petits pots doit être remué ou agité et la température doit être vérifiée avant la consommation, afin d'éviter les brûlures.
7. Les œufs dans leur coquille et les œufs durs entiers ne doivent pas être chauffés dans des fours à micro-ondes, car ils risquent d'exploser, même après la fin du chauffage par micro-onde.
8. Si le four n'est pas maintenu propre, la surface peut se détériorer, ce qui peut nuire à la durée de vie de l'appareil et entraîner une situation dangereuse.
9. L'appareil ne doit pas être placé dans une armoire.
10. Veillez à ne pas déplacer le plateau tournant lorsque vous retirez des récipients de l'appareil.
11. L'appareil ne doit pas être nettoyé à l'aide d'un nettoyeur à vapeur.

12. L'appareil ne doit pas être installé à une hauteur égale ou inférieure à 900 mm au-dessus du sol. Hauteur minimale de l'espace libre nécessaire au-dessus de la surface supérieure du four : 100 mm

Avertissement : Lorsque l'appareil fonctionne en mode combiné, les enfants ne doivent utiliser le four que sous la surveillance d'un adulte en raison des températures générées.



ATTENTION: SURFACE CHAUDE

13. Si le cordon d'alimentation est endommagé, il doit être remplacé par le fabricant, son agent de service ou une personne de qualification similaire afin d'éviter tout danger.

14. Cet appareil peut être utilisé par des enfants à partir de 8 ans et par des personnes dont les capacités physiques, sensorielles ou mentales sont réduites ou qui manquent d'expérience et de connaissances, à condition qu'elles aient reçu une surveillance ou des instructions concernant l'utilisation de l'appareil en toute sécurité et qu'elles comprennent les risques encourus. Les enfants ne doivent pas jouer avec l'appareil. Le nettoyage et l'entretien par l'utilisateur ne doivent pas être effectués par des enfants sans surveillance.

15. Cet appareil est destiné à être utilisé dans des applications

domestiques et similaires telles que :

16. - les cuisines du personnel dans les magasins, les bureaux et autres environnements de travail.
17. - les fermes.
18. - par les clients dans les hôtels, les motels et autres environnements de type résidentiel ;
19. - les chambres d'hôtes.
20. Les appareils ne sont pas destinés à être utilisés au moyen d'une minuterie externe ou d'un système de commande à distance séparé.
21. Ne mettez pas directement la plaque de verre dans l'eau froide après utilisation. Il faut placer la plaque de verre pendant au moins 20 minutes, puis la mettre dans l'eau pour éviter qu'elle ne se fissure.

Appareil de classe B du groupe 2

Groupe 2 Équipements ISM : le groupe 2 comprend tous les équipements ISM dans lesquels de l'énergie radiofréquence est intentionnellement générée et/ou utilisée sous forme de rayonnement électromagnétique pour le traitement de matériaux, ainsi que les équipements d'électroérosion et de soudage à l'arc.

Les équipements de classe B sont des équipements adaptés à une utilisation dans les établissements domestiques et dans les établissements directement connectés à un réseau d'alimentation électrique à basse tension qui alimente des bâtiments utilisés à des fins domestiques. (Il s'agit d'une disposition des exigences relatives à la CEM)

22. Source lumineuse interne de ce produit Lumière LED < 60lm.
(Ce point a été ajouté au 21.4.2)
23. "Pour être conforme à la norme EN 61000-3-11, le produit doit être connecté uniquement à une alimentation dont

l'impédance est la suivante : $|Z_{\text{sys}}| = 0.34685$ ohms ou moins. Avant de connecter le produit à un réseau électrique public, veuillez consulter votre autorité locale chargée de l'approvisionnement en électricité pour vous assurer que le réseau électrique répond aux exigences susmentionnées.”

INSTALLATION

1. Retirez tous les emballages. Si le four est recouvert d'un film de sécurité, décollez-le avant de l'utiliser. Vérifiez soigneusement que l'appareil n'est pas endommagé. Si c'est le cas, prévenez immédiatement le revendeur ou envoyez l'appareil au centre de service après-vente du fabricant.
2. Les fours à micro-ondes doivent être placés dans un environnement sec et non corrosif, à l'écart de la chaleur et de l'humidité, comme un brûleur à gaz ou un réservoir d'eau.
3. Pour assurer une ventilation suffisante, la distance entre l'arrière du four à micro-ondes et le mur doit être d'au moins 10 cm, le côté du mur doit être d'au moins 5 cm, la distance libre au-dessus de la surface supérieure doit être d'au moins 20 cm, et la distance entre le four à micro-ondes et le sol doit être d'au moins 85 cm.
4. L'emplacement du four doit être éloigné de la télévision, de la radio ou de l'antenne, car des perturbations de l'image ou du bruit peuvent se produire. La distance doit être supérieure à 5 mètres.
5. L'appareil doit être placé de manière que la prise soit accessible et doit assurer une bonne mise à la terre au cas où une fuite ou une boucle de terre se formerait afin d'éviter tout choc électrique.
6. Le four à micro-ondes doit être utilisé avec la porte fermée.
7. Le four à micro-ondes ne doit pas être placé dans une armoire. Le four à micro-ondes est destiné à être utilisé de manière autonome.

8. S'il reste des résidus ou de l'huile dans la cavité du four ou sur l'élément chauffant, il y a généralement une odeur, voire une légère fumée, mais c'est normal et cela ne se produit pas après plusieurs utilisations. Il est donc fortement recommandé de placer une tasse d'eau dans la cavité, de régler le four à haute puissance et de le faire fonctionner plusieurs fois.

NETTOYAGE

ENTRETIEN DU FOUR À MICRO-ONDES

ATTENTION

Le four doit être nettoyé régulièrement et les dépôts de nourriture doivent être enlevés.

AVERTISSEMENT

- a. Débranchez le cordon d'alimentation de la prise murale avant de procéder au nettoyage. Après le refroidissement des produits. Ne plongez pas l'appareil dans l'eau ou dans d'autres liquides lorsque vous le nettoyez.
- b. Si le four n'est pas maintenu propre, la surface peut se détériorer, ce qui peut nuire à la durée de vie de l'appareil et entraîner une situation dangereuse.
- c. Ne jamais utiliser de détergent dur, d'essence, de poudre abrasive ou de brosse métallique pour nettoyer une partie quelconque de l'appareil.
- d. Ne pas retirer le couvercle du guide d'ondes.
- e. Lorsque le four à micro-ondes a été utilisé pendant une longue période, des odeurs étranges peuvent apparaître dans le four. Les 3 méthodes suivantes permettent de s'en débarrasser:

- 1) Placer plusieurs tranches de citron dans une tasse, puis chauffer à puissance micro élevée pendant 2-3 minutes.
 - 2) Placer une tasse de thé rouge dans le four, puis chauffer à puissance élevée.
 - 3) Mettre quelques écorces d'orange dans le four, puis les chauffer à micro-puissance élevée pendant 1 minute.
- f. Lorsque le produit n'est pas utilisé, il doit être placé dans des endroits secs et ventilés le mieux possible.

AVERTISSEMENT

Détails sur le nettoyage des surfaces en contact avec les aliments :

Après utilisation, essuyez le couvercle du guide d'ondes avec un chiffon humide, puis avec un chiffon sec pour éliminer les éclaboussures d'aliments et la graisse. La graisse accumulée peut surchauffer et commencer à dégager de la fumée ou à s'enflammer.

CONSEILS DE NETTOYAGE

Détails pour le nettoyage des joints de la porte, de la cavité et des parties adjacentes :

Extérieur:

Essuyez le boîtier avec un chiffon doux et humide.

Porte :

Nettoyez la porte et la fenêtre à l'aide d'un chiffon doux humidifié.

Essuyez les joints de la porte et les parties adjacentes pour éliminer tout déversement ou éclaboussure.

Essuyez le panneau de commande avec un chiffon doux légèrement humide.

Parois intérieures :

Nettoyez les surfaces intérieures à l'aide d'un chiffon doux humidifié.

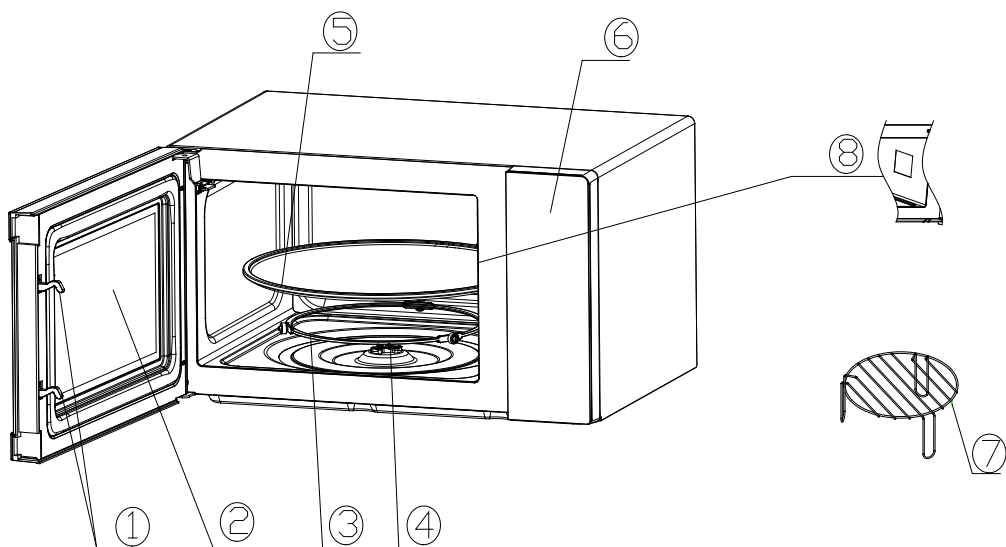
Essuyez le couvercle du guide d'ondes pour éliminer toute éclaboussure de nourriture.

Plateau tournant / Anneau de rotation / Axe de rotation :

Laver avec de l'eau savonneuse douce.

Rincer à l'eau claire et laisser sécher complètement.

INSTRUCTIONS RELATIVES AU PRODUIT



Verrouillage de la porte

La porte du four à micro-ondes doit être correctement fermée pour qu'il puisse fonctionner.

1) Fenêtre de visualisation

Permet à l'utilisateur de voir l'état de la cuisson.

2) Vitre d'observation

Permettre à l'utilisateur de voir l'état de la cuisson.

3) Anneau rotatif

Le plateau tournant en verre repose sur ses roues ; il soutient le plateau tournant et l'aide à s'équilibrer lorsqu'il tourne.

4) Axe de rotation

Le plateau tournant en verre repose sur l'axe ; le moteur situé en dessous entraîne la rotation du plateau

5) Plateau tournant

Les aliments reposent sur le plateau tournant, dont la rotation pendant le fonctionnement permet de cuire les aliments de manière homogène



ATTENTION

- Placer d'abord l'anneau rotatif.
- Placer le plateau tournant sur l'axe de rotation et s'assurer qu'il est correctement engrené.

6) Panneau de contrôle

Voir ci-dessous pour plus de détails (le panneau de contrôle est susceptible d'être modifié sans préavis)

7) Grille de cuisson

Permet de placer les aliments à rôtir.

8) Couvercle du guide d'ondes

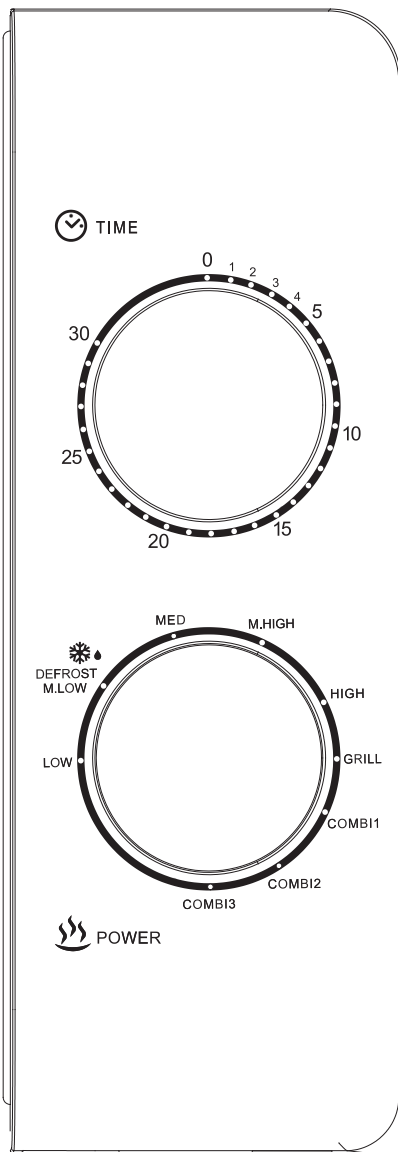
Il se trouve à l'intérieur du four à micro-ondes, à côté de la paroi du panneau de commande.



AVERTISSEMENT

Ne jamais retirer le couvercle du guide d'ondes

FONCTIONNEMENT DU PANNEAU DE CONTRÔLE



1. MINUTERIE

-La durée maximale de cuisson pouvant être réglée est de 30 minutes.

2. - Chaque réglage est d'une minute.

3. - Une sonnerie retentit lorsque la minuterie s'arrête et revient à la position zéro.

4. BOUTON DE FONCTION/PUISSANCE

1) Il existe 5 niveaux de puissance des micro-ondes :

Haut	100% puissance de sortie	(Cuisson rapide)
M.Haut	81% puissance de sortie	(Cuisson normale)
Moyen	58% puissance de sortie	(Cuisson lente)
Décongélation	36% puissance de sortie	(Décongélation)
Faible	18% puissance de sortie	(Restez au chaud)

2) Voici quelques conseils concernant le temps de décongélation des aliments :

No.	poids (g)	Temps de décongélation
1	250	environ 4 minutes
2	500	environ 8 minutes
3	750	environ 12 minutes

Grill : seul l'élément chauffant est alimenté. Vous obtiendrez une belle couleur brune, qui vous mettra l'eau à la bouche, mais si les aliments sont épais, il se peut que la surface des aliments soit brûlée, mais que le centre de l'aliment ne soit pas cuit. Il convient

pour griller les saucisses, les ailes de poulet, les côtelettes, les tranches de viande, les sandwiches, etc.

Combinaison-- Le magnétron et l'élément chauffant fonctionnent en alternance. En fonction des propriétés des aliments, en utilisant l'excellence du gril et du micro-ondes, pour obtenir le meilleur résultat.

Combi 1 : Le magnétron fonctionne 30 % du temps et l'élément chauffant 70 % du temps. Il convient pour rôtir des côtelettes, des sandwiches, etc.

Combi 2 : Le magnétron fonctionne à 49 % et l'élément chauffant à 51 %. Il convient pour griller les petits poulets et les viandes.

Combi 3 : 67 % du temps de fonctionnement du magnétron et 33 % du temps de fonctionnement de l'élément chauffant. Il convient pour griller les gros poulets, les canards, etc...

OPERATION

1) Connecter le cordon

- Avant de brancher le cordon, assurez-vous que la minuterie est réglée sur la position "0".
- Ne pas obstruer la ventilation.

2) Placez les aliments sur le plateau tournant en verre et fermez la porte.

- Les aliments doivent être contenus dans un ustensile.
- Ne pas faire fonctionner le four à micro-ondes à vide, sous peine de l'endommager.

3) Sélectionner le niveau de puissance du micro-ondes souhaité

4) Réglage de la minuterie

Si le temps souhaité est inférieur à 2 minutes, tournez le bouton de puissance du four à micro-ondes sur la position 3 minutes, puis revenez au réglage du temps souhaité.

5) Une fois la durée souhaitée réglée, la cuisson commence. Si une pause est nécessaire à mi-chemin, il suffit d'ouvrir la porte à tout moment et de la refermer pour reprendre la cuisson.

6) Lorsque le temps est écoulé et que la cuisson est terminée, le four à micro-ondes émet une sonnerie, la lampe intérieure s'éteint également automatiquement.

Si les aliments sont retirés avant la fin du temps imparti, veuillez à remettre la minuterie sur la position "0", afin d'éviter que le four à micro-ondes ne fonctionne à vide.

7) Il est recommandé de porter des gants pour retirer les aliments cuits du four et de veiller à ne pas toucher la surface intérieure de la cavité.

ATTENTION

Les aliments sont chauffés rapidement, généralement en 2 ou 3 minutes, mais le contrôle se fait en 5 minutes. Soyez attentif à l'état de cuisson des aliments à tout moment et ajustez-le en fonction de vos préférences gustatives. Évitez la surchauffe. Lorsque vous faites chauffer du porridge, vous devez d'abord remuer uniformément, puis recouvrir d'un film plastique (en laissant des coins pour la ventilation) ou d'un couvercle perforé pour le chauffage.

Au milieu du temps de décongélation, ouvrez la porte pour retourner les aliments, afin que l'effet de décongélation soit plus uniforme.

GUIDE DES USTENSILES

Il est fortement recommandé d'utiliser des récipients adaptés et sûrs pour la cuisson au micro-ondes. D'une manière générale, les récipients en céramique, en verre ou en plastique résistant à la chaleur conviennent à la cuisson au micro-ondes. N'utilisez jamais de récipients métalliques pour la cuisson au micro-ondes et la cuisson combinée, car des étincelles risquent de se produire. Vous pouvez vous référer au tableau ci-dessous.

Matériau du récipient	Micro-ondes	Grill	Combi	Notes
Céramique résistante à la chaleur	Oui	Oui	Oui	Ne jamais utiliser les céramiques décorées d'un bord métallique ou émaillées.
Plastique résistant à la chaleur	Oui	Non	Non	Ne peut pas être utilisé pour une cuisson prolongée au micro-ondes.
Verre résistant à la chaleur	Oui	Oui	Oui	
Film plastique	Oui	Non	Non	Il ne doit pas être utilisé pour la cuisson de la viande ou des côtelettes, car la surchauffe peut endommager le film.
Grille de cuisson	Non	Oui	Oui	La grille ne peut être utilisée qu'en mode grill et en mode combiné.
Conteneur métallique	Non	Non	Non	Il ne doit pas être utilisé dans un four à micro-ondes. Les micro-ondes ne peuvent pas traverser le métal.
laque	Non	Non	Non	Mauvaise résistance à la chaleur. Ne peut pas être utilisé pour la cuisson à haute température.
Bois de bambou et papier	Non	Non	Non	Mauvaise résistance à la chaleur. Ne peut pas être utilisé pour la cuisson à haute température.

CONSEILS DE CUISSON

Les facteurs suivants peuvent affecter le résultat de la cuisson :

Organisation de la nourriture

Placer les parties les plus épaisses vers l'extérieur du plat, les parties les plus fines vers le centre et les étaler uniformément. Ne pas faire se chevaucher si possible.

Temps de cuisson

Commencez la cuisson avec une durée courte, évaluez-la après l'écoulement du temps et prolongez-la en fonction des besoins réels. Une cuisson excessive peut provoquer de la fumée et des brûlures.

Cuisson homogène des aliments

Les aliments tels que le poulet, les hamburgers ou les steaks doivent être retournés une fois pendant la cuisson.

Selon le type d'aliment, le cas échéant, remuez-le de l'extérieur vers le centre du plat une ou deux fois pendant la cuisson.

Prévoir un temps de repos

Après la fin de la cuisson, laissez l'aliment dans le four pendant une durée suffisante, ce qui lui permet de terminer son cycle de cuisson et de se refroidir progressivement.

Si les aliments sont cuits

La couleur et la dureté des aliments permettent de déterminer s'ils sont cuits.:

- La vapeur sort de toutes les parties de l'aliment, et pas seulement du bord.
- Les articulations de la volaille peuvent être déplacées facilement
- Le porc ou la volaille ne présente pas de traces de sang
- Le poisson est opaque et peut être tranché facilement à l'aide d'une fourchette.

Plat à brunir

Lors de l'utilisation d'un plat à brunir ou d'un récipient auto-chauffant, placez toujours un isolant résistant à la chaleur, tel qu'une assiette en porcelaine, sous le plat afin d'éviter d'endommager le plateau tournant et l'anneau rotatif.

Film plastique adapté aux micro-ondes

Lors de la cuisson d'aliments à forte teneur en matières grasses, ne laissez pas le film plastique entrer en contact avec les aliments, car il pourrait fondre.

Ustensiles de cuisine en plastique résistant aux micro-ondes

Certains ustensiles de cuisine en plastique résistant aux micro-ondes peuvent ne pas convenir à la cuisson d'aliments à forte teneur en graisses et en sucres. De plus, le temps de préchauffage spécifié dans le mode d'emploi du plat ne doit pas être dépassé.

MAINTENANCE

SERVICES

Veuillez vérifier les points suivants avant d'appeler les services.

1. Placez une tasse d'eau (environ 150 ml) dans une mesure en verre dans le four et fermez bien la porte. La lampe du four doit s'éteindre si la porte est correctement fermée. Laissez le four fonctionner pendant 1 minute.
2. La lampe du four s'allume-t-elle ?
3. Le ventilateur de refroidissement fonctionne-t-il ?
(Placez votre main sur les ouvertures de ventilation arrière).
4. Le plateau tournant tourne-t-il ?
(Le plateau tournant peut tourner dans le sens des aiguilles d'une montre ou dans le sens inverse. C'est tout à fait normal).
5. L'eau à l'intérieur du four est-elle chaude ?
Si la réponse à l'une des questions ci-dessus est "NON", veuillez vérifier votre prise murale et le fusible dans votre coffret de compteur.
Si la prise murale et le fusible fonctionnent correctement, contactez votre centre de service agréé le plus proche.

GARANTIES DE SERVICE

Attention : RAYONNEMENT MICRO-ONDES

1. Le condensateur haute tension reste chargé après la déconnexion ; court-circuitez la borne négative du condensateur H.V. au châssis du four (à l'aide d'un tournevis) pour le décharger avant de le toucher.
2. Lors de l'entretien, les pièces énumérées ci-dessous sont susceptibles d'être retirées et de donner accès à des potentiels supérieurs à 250 V à la terre.
3. ● Magnétron
4. ● Transformateur haute tension
5. ● Condensateur haute tension
6. ● Diode haute tension
7. ● Fusible haute tension Les conditions suivantes peuvent entraîner une exposition excessive aux micro-ondes pendant l'entretien.
 - Mauvaise adaptation du magnétron ;
 - Mauvaise adaptation du verrouillage de la porte, de la charnière de la porte et de la porte ;
 - Mauvaise adaptation du support de l'interrupteur ;
 - La porte, le joint de porte ou le boîtier a été endommagé.

Élimination correcte de ce produit



Ce marquage indique que ce produit ne doit pas être éliminé avec les autres déchets ménagers dans l'ensemble de l'UE. Pour éviter que l'élimination incontrôlée des déchets ne nuise à l'environnement ou à la santé humaine, recyclez le produit de manière responsable afin de promouvoir la réutilisation durable des ressources matérielles. Pour retourner votre appareil usagé, veuillez utiliser les systèmes de retour et de collecte ou contacter le détaillant où le produit a été acheté. Il pourra prendre en charge ce produit pour le recycler dans le respect de l'environnement.

